

Cautions

- Insure that all levers, handles, knobs, and leg locks are properly tightened, and all three legs are fully angled opened before use.
- Do not mount any camera directly onto the head mounting screw located on the top of the tripod's center column. The screw may be longer than the tripod's socket in your camera, and could possibly cause damage.
- Do not carry or transport the tripod with camera equipment attached (as example but not limited to: over your shoulder, or cradled in your arms).
- Do not OIL or GREASE any part of this tripod.
- Do not use any solvents or thinners to clean your tripod. Use mild detergent and wipe dry with a soft lint-free cloth only.
- Do not exceed the load limit for this product.

Technical Support:

Please do not attempt to fix the tripod by yourself. If you are experiencing any problems with the Tripod please do not return the product to the store you bought it from. You can contact our technical support representatives and they will assist you with any questions you might have. For assistance operating your Tripod please consult the User's Manual or feel free to contact Targus Digital technical support:

Targus Digital
180 Maiden Lane
28th Floor
New York, New York 10038
E-mail: support@targusdigital.com

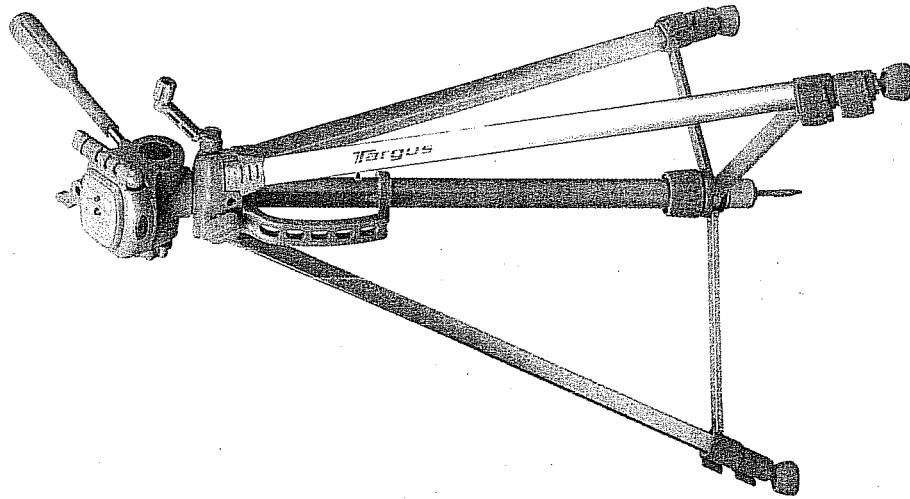
Operating Instructions

Targus Digital Camera Tripod

PRODUCT CODE: TG-6660TR

Congratulations on your purchase of a Targus Tripod. Your tripod has been designed to work with your digital camera, conventional camera, or camcorder. It is a sturdy, rugged, and a dependable product that will provide you with many years of reliable service and memories.

Please spend a few moments reviewing the instructions so that you can take full advantage of your tripod's features, and capabilities.



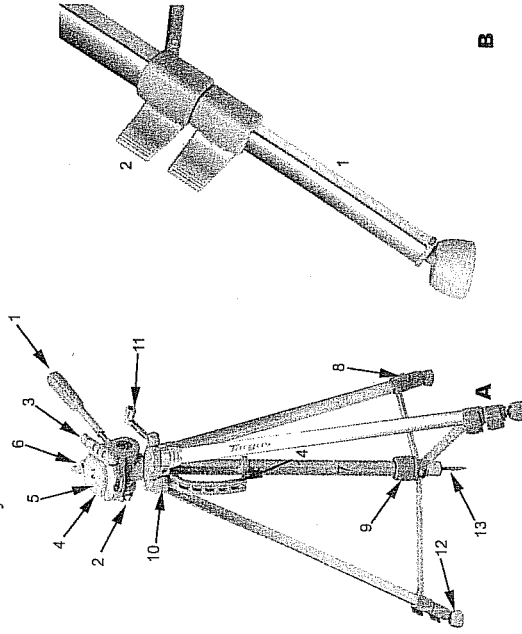
TG-6660TR

Specifications

- Length, Folded 27" (68.6 cm)
- Maximum height 66" (167.6 cm)
- Weight 3.4 lb (1.53 kg)
- Load Capacity 7 lb (3.17kg)

Tripod Components (see illustration A below)

1. Tilt Locking Handle
2. Pan Locking Knob
3. Vertical Tilt Locking Knob
4. Bubble Level on Platform Socket
5. Quick Release Platform
6. Quick Release Platform Locking Lever
7. Center Column Tension Adjustment
8. Quick Release Leg Locks
9. Leg Braces with Locking Collar
10. Elevation Locking Knob
11. Elevator Crank
12. Non-slip Rubber Feet
13. Accessory Hook
14. Carry Handle

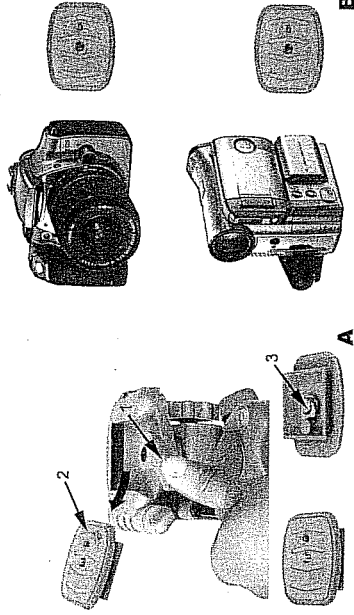


Quick Release Platform

Move the Quick Release Locking Lever (1) outward until it stops and remove the Quick Release Platform (2) by lifting upward. The Platform has a threaded camera mounting screw, retractable video index pin, and built-in bubble level on platform socket for precise leveling. (See illustration A)

Position the platform so that the index pin and camera mounting screw align with the matching receptacles on your camera or camcorder, and attach them using the camera mounting screw (3). If not required, the indexing pin will retract. (See Illustration B)

Move and hold open the Quick Release Lock Lever and with the camera tilted slightly down, slide the Quick Release Platform back into position. After doing so, secure the platform using the Quick Release Locking Lever by pressing firmly until it stops.



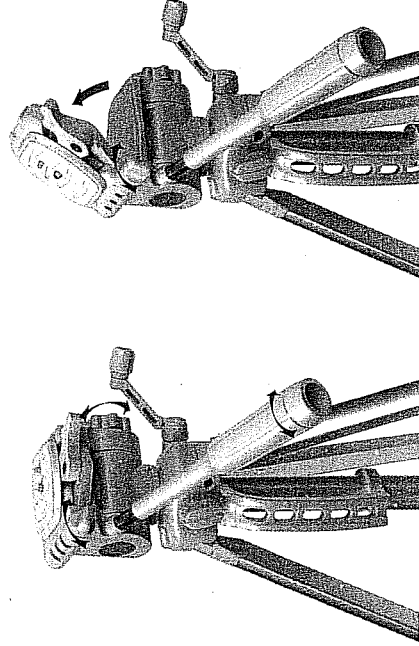
Using the universal Panhead

To tilt, loosen the tilt Locking Handle, by turning the handle counterclockwise. Tilt the panhead as desired and retighten the handle by turning clockwise.

To pan, loosen the Pan Locking knob, position as desired, and retighten. For action panning, loosen the Pan Locking Knob and use the Tilt Locking Handle.

To change the camera format from horizontal to vertical, loosen the Vertical Tilt Locking Knob and rotate the camera 90 degrees to its vertical position. Retighten the Tilt Locking Knob.

For precision control, your Targus Digital Camera Tripod head is also equipped with both tilt and pan reference marks. Use these as a means of returning to any previous settings.

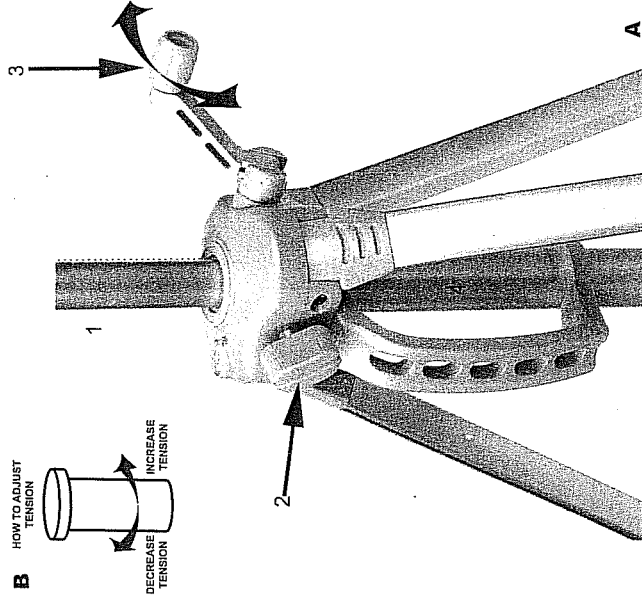


Height and Tension Control Adjustments

Your Targus Digital Tripod is equipped with pinion geared center column for precise height adjustments. To raise or lower the center column (1), loosen the Elevation Locking Knob (2). Fold out the Elevation Crank(3) and turn to the desired height. Retighten the Elevation Locking Knob to secure.

To reduce any sudden downward camera movement when adjusting the tripod's height, your Tripod is equipped with a Tension Adjustment Collar (4) that encases the center column. Turning the collar in a counterclockwise direction will increase tension to the column, which acts as an aid in supporting heavier cameras. To reduce tension on the center column, when using lighter weight equipment, turn the collar in the opposite direction. Please refer to illustration A, B

Note: Never release hold of your camera until the Center Column Locking Knob is securely retightened.

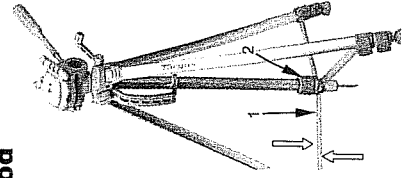


Opening and Closing the Tripod

Your Targus Digital Camera Tripod is equipped with metal Center Leg Braces (1) for maximum stability, and added strength.

When opening the tripod, make certain that the Leg Bracing Locking Collar (2) is loosened. All three braces should then be fully extended by gently pressing down on any brace until it stops. To secure, retighten the Collar.

When closing the tripod, loosen the Locking Collar and gently push up on any Leg Brace, as indicated by the arrow in the illustration, to permit the tripod's legs to close properly.



Expanding The Targus Digital Tripod Legs

(see illustration above)

Each leg of the Targus digital Camera Tripod has separate leg extensions (1) and each segment may be withdrawn as needed. This permits setting your equipment at a comfortable height and can be very useful when positioning your tripod on uneven terrain.

To deploy any leg extension, flip the Leg Lock (2) open in the direction shown and gently pull on the leg segment below that Lock. To secure, press the Leg Lock in the opposite direction shown until it locks into place.

Not properly securing a Leg Lock may cause the tripod leg to retract unexpectedly and may result in damage to both your camera, and the tripod.